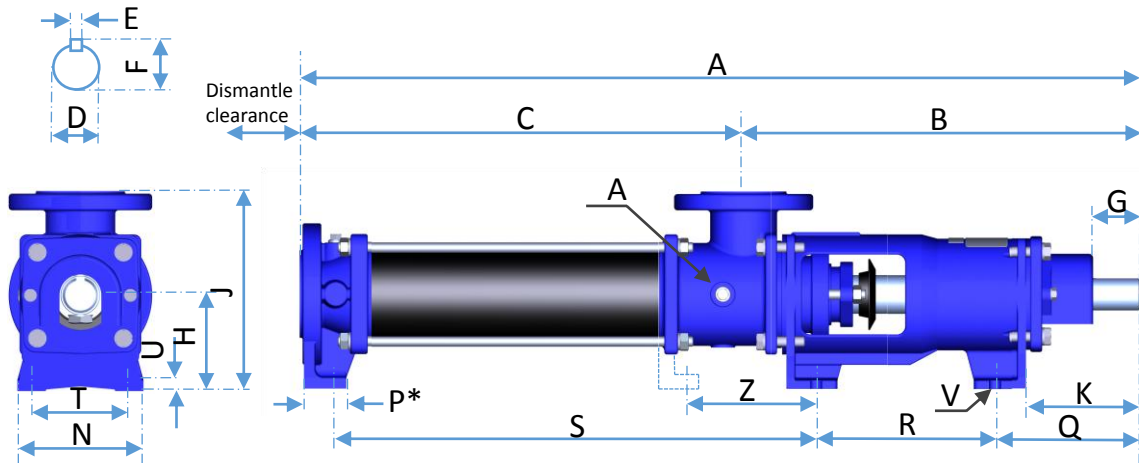




DIMENSION SHEET

M-RANGE



P*:
All
feet
width
equal

Pump Model	A	Dismantle clearance	B	C	D	E	F	G	H	J	K
C22M	571	315	301	270	19	6	21.5	40	80	160	100
C24M	766	282	377	389	28	8	31	50	90	200	120
C31M	531	275	301	230	19	6	21.5	40	80	160	100
C33M	822	282	377	445	28	8	31	50	90	200	120
C41M	627	300	377	250	28	8	31	50	90	200	120
C42M	757	300	377	380	28	8	31	50	90	200	120
C51M	672	282	377	295	28	8	31	50	90	200	120
C52M	847	282	377	470	28	8	31	50	90	200	120
C51MCR	798	430	455	343	38	10	41	60	110	230	135
C52MCR	958	430	455	503	38	10	41	60	110	230	135
C61M	825	430	455	370	38	10	41	60	110	230	135
C62M	1040	430	664	585	38	10	41	60	110	230	135
C61MB	717	282	377	340	28	8	31	50	90	200	120
C62MB	1090	385	455	635	38	10	41	60	110	230	135
C61MCR	870	450	455	415	38	10	41	60	110	230	135
C71M	1041	510	604	437	48	14	51.5	80	160	320	175
C72M	1321	510	603	718	48	14	51.5	80	160	320	175
C81M	1041	510	604	437	48	14	51.5	80	160	320	175
C82M	1536	700	644	892	48	14	51.5	80	160	320	215
C81MCR	1338	700	644	694	48	14	51.5	80	160	320	215
C91M	1416	700	644	772	48	14	51.5	80	160	320	215
C92M	1866	1600	644	1222	48	14	51.5	80	160	320	215
C101M	1481	800	644	837	48	14	51.5	80	160	320	215
C111M	1416	690	644	772	48	14	51.5	80	160	320	215

Pump Model	N	P	Q	R	S	T	U	V	FLANGE	Z	MASS (kg)
C22M	100	35	121	120	305	70	10	10	BS4504	N/A	19.5
C24M	125	45	145	165	426	90	10	12	BS4504	N/A	38.1
C31M	100	35	121	120	305	70	10	10	BS4504	N/A	18.2
C33M	125	45	145	165	482	90	10	12	BS4504	N/A	39.9
C41M	125	5	145	165	287	90	10	12	BS4504	N/A	34.1
C42M	125	45	145	165	417	90	10	12	BS4504	N/A	40.3
C51M	125	45	145	165	332	90	10	12	BS4504	N/A	36
C52M	125	45	145	165	507	90	10	12	BS4504	N/A	44.2
C51MCR	140	50	169	200	389	105	13	14	BS4504	N/A	52.6
C52MCR	140	50	169	200	549	105	13	14	BS4504	N/A	58.3
C61M	140	50	169	200	416	105	13	14	BS4504	N/A	58.1
C62M	140	50	169	200	631	105	13	14	BS4504	N/A	71
C61MB	125	45	145	200	377	90	10	12	BS4504	N/A	37.6
C62MB	140	50	169	200	681	105	13	14	BS4504	N/A	73.7
C61MCR	140	50	169	200	461	105	13	14	BS4504	N/A	57.1
C71M	200	70	221	210	560	150	20	16	BS4504	N/A	113.03
C72M	200	70	220	210	841	150	20	16	BS4504	N/A	140.87
C81M	200	70	221	210	560	150	20	16	BS4504	N/A	111.97
C82M	200	70	261	210	1015	150	20	16	BS4504	378	190.55
C81MCR	200	70	261	210	817	150	20	16	BS4504	378	169.3
C91M	200	70	261	210	895	150	20	16	BS4504	378	172.6
C92M	200	70	261	210	1345	150	20	16	BS4504	465	230.66
C101M	200	70	261	210	960	150	20	16	BS4504	465	175.95
C111M	200	70	261	210	895	150	20	16	BS4504	378	191.6

DATE: 01/06/06

DATA No. D101